

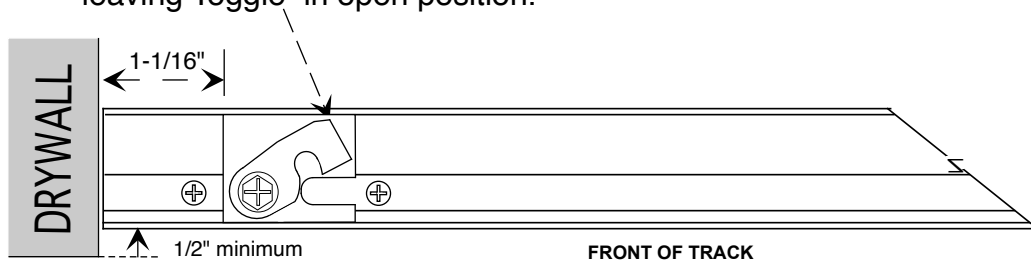
Pivot Installation Instructions with Flat Floor Plates

page 1

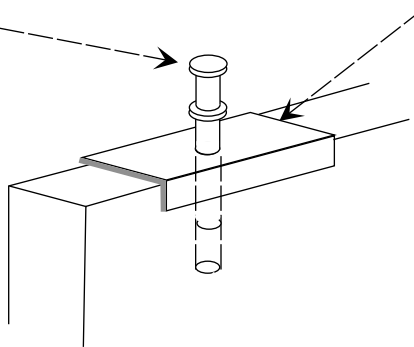
MAGIGLIDE®

1-1/8" pivot closet door systems

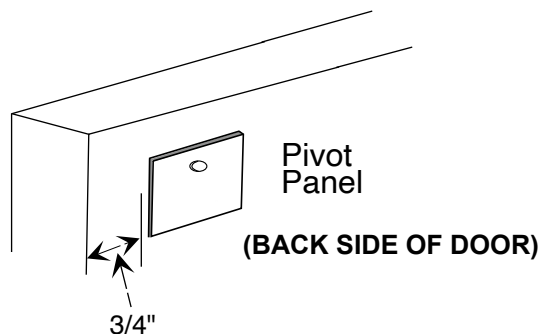
1. Measure the door opening and trim the metal track to fit. **Level the track.**
DO NOT position track flush with face of wall. Set track at least 1/2" back from front edge of opening. Attach with suitable fasteners (supplied by others).
2. Position the Cam Lock Assembly approx. 1-1/16" from walls. Pre-tighten Toggle Screw (1033-1) leaving Toggle in open position.



3. Insert top Pivot Pins (1029) into factory mounted Pivot Brackets (1002) on each door panel.



4. Attach the Strike Plate as shown on back of door, opposite side of pivot brackets. Use screws provided.



General Precaution: To prevent screws from stripping out of particleboard, *never* over-torque !

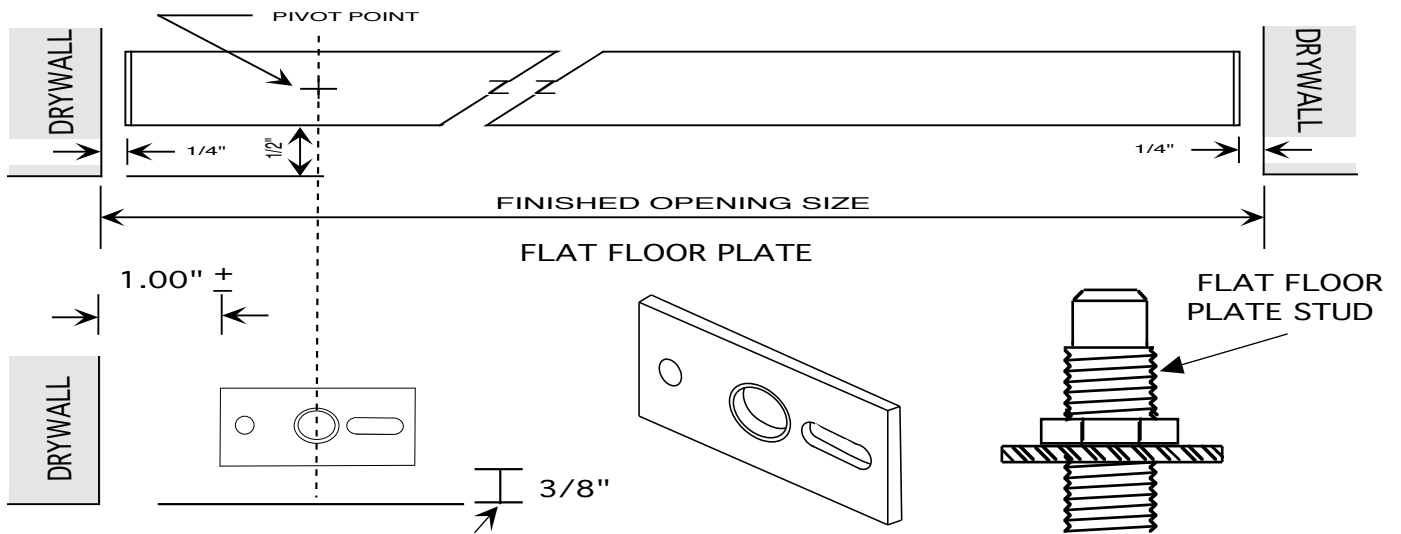
5. Assemble the Floor Plate Assembly (1003-1, -2, -3, -4) as shown in diagram on page 4.

-more on page 2

MAGIGLIDE® pivot closet door systems

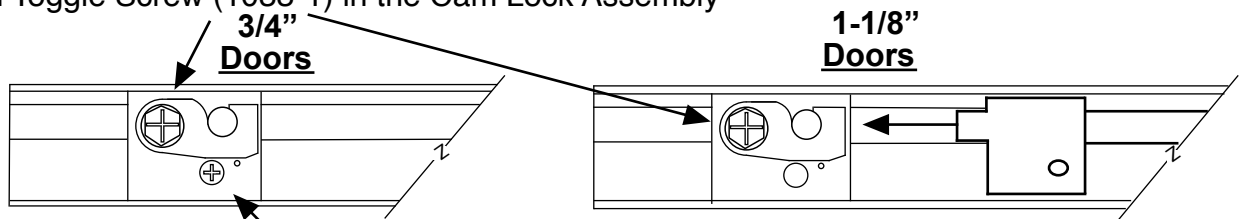
Installation Instructions

6. Position the Flat Floor Plate Assembly so that it lines up approximately with the top Pivot bracket. **Do not fasten to floor at this time.**



* THIS DIMENSION ONLY WORKS IF YOU BACKSET TOP TRACK 1/2"

7. Place door on a 30-degree angle and set bottom Pivot Bracket (1002—factory-mounted) onto the Flat Floor Plate Mini Stud (colored stud). With door in a vertical position, slip top Pivot Pin (1029-1) into the Cam Lock Assembly located inside the Track. Snap Cam Lock Assembly Toggle closed to engage Pivot Pin.
8. Align the door horizontally allowing 1/4" clearance at each wall. Put a level on the face of the door vertically to make sure you are level.
9. Tighten Toggle Screw (1033-1) in the Cam Lock Assembly



#8 X 1/2" Self-tapping Cam Lock Screw (1022)

Safety Plate: Fasten with self tapping screw.(1022)

10. Tighten Toggle Screw using wrench or long shaft screw driver.

3/4" Thick Pivots Insert Cam Lock Screw (1022) through Clamp Plate (1036) and fasten into Track.

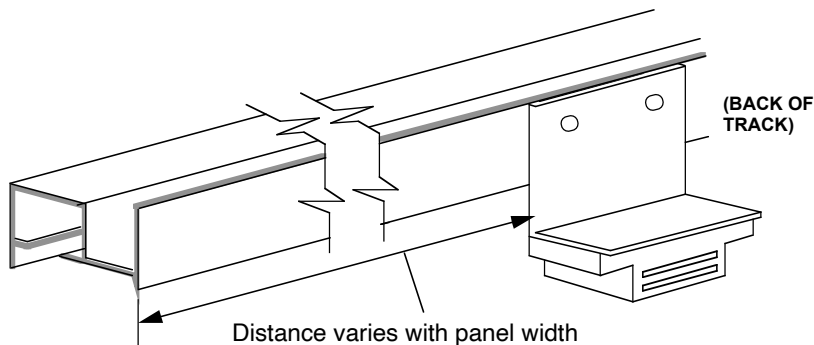
1-1/8 " Thick Pivots Place Safety Plate next to cam plate, slide notch until it touches pin. Fasten safety plate with self tapping screw (1022).

Caution: Failure to install the Cam Lock Screw or Safety Plate will void the warranty.

12. Assemble the Floor Plate Assembly (1026 / 1003-2, -3, -4) as shown in diagram on page 4. Then lift door off of loose blocking and set back on top of stud.
13. Set clearance between top of Door and Track from 1/4" to 7/16" by turning Stud (1003-2) in Floor Plate Assembly, with wrench provided. Tighten Stud Nut (1003-3) to lock.

Note: This adjustment is critical to the smooth operation of the door.

14. Attach the Magnetic Catch bracket to back of Track in line with Strike Plate previously mounted. Use Self-tapping Screws (1022) provided.



15. Mount Door Pulls (1015) on Pivot Door with screws provided. Door Pull location to be determined by the installer.

These Installation Instructions are provided as a guide to the proper installation of **MAGIGLIDE®** pivot closet door systems. Failure to follow tolerances detailed and explicit directions for activating locking mechanisms could void the manufacturer's warranty.



MAGIGLIDE® pivot door hardware

page 4

Installation Instructions

